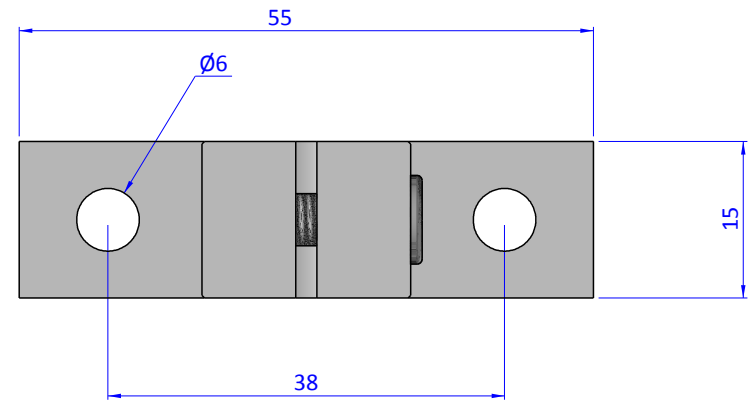
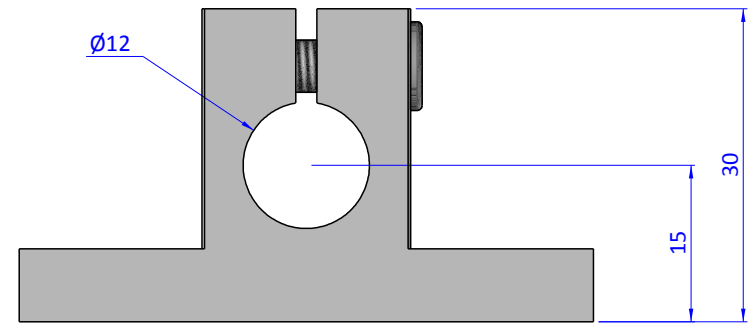
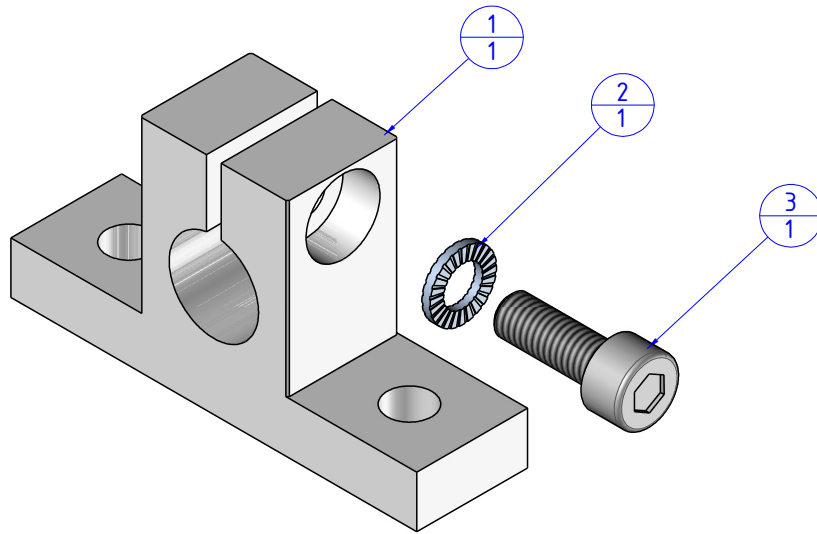


THE PROPERTY OF THE DRAWING IS ESTABLISHED BY LAW. IT IS FORBIDDEN TO PRODUCE OR SHOW IT TO THIRD PARTY, WITHOUT A WRITTEN AGREEMENT.

Item	Name	Q. ty
1	03.07.001	1
2	R.5.SCH	1
3	V.TCE5x14	1



Format A3

UNI 936-76

<b>FP SERVICES</b> AUTOMATION		DESIGNED FROM		REVIEW
		FPSERVICES		A / 2
GENERAL TOLERANCE		DATE	WEIGHT	
UNI - ISO 2768		06/06/2018	0,031kg	
CLASSE f	DESCRIPTION	CODE		
	CA.03.07.001	CA.03.07.001		